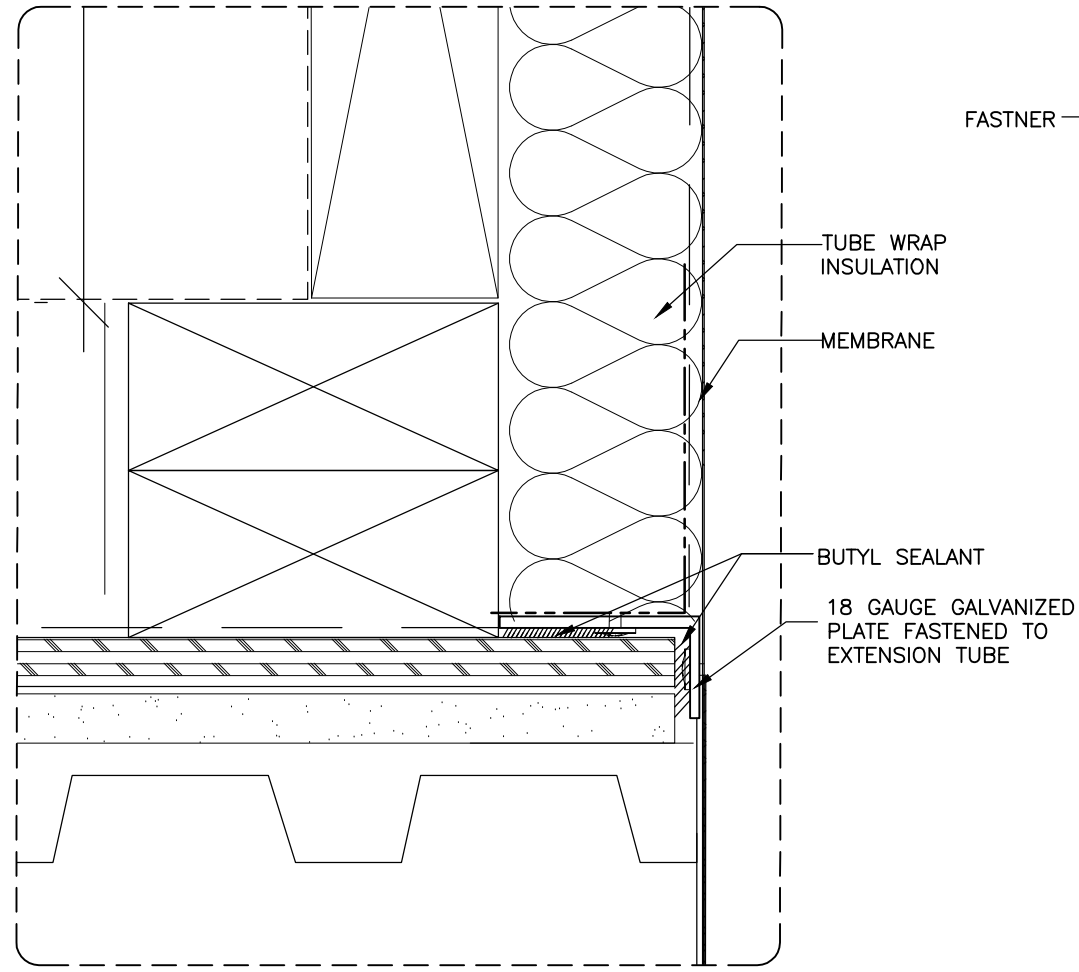
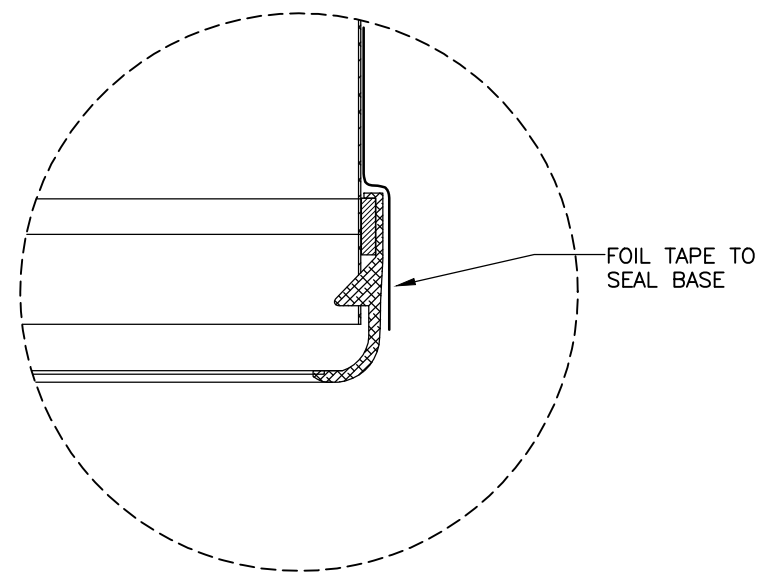


1 SOLATUBE SECTION
 4.02 SCALE: 1:2 REF: NONE



2 SOLATUBE SECTION
 4.02 SCALE: 1:2 REF: NONE



3 SOLATUBE SECTION
 4.02 SCALE: 1:2 REF: NONE

"BUILDING INSPIRED VISIONS"

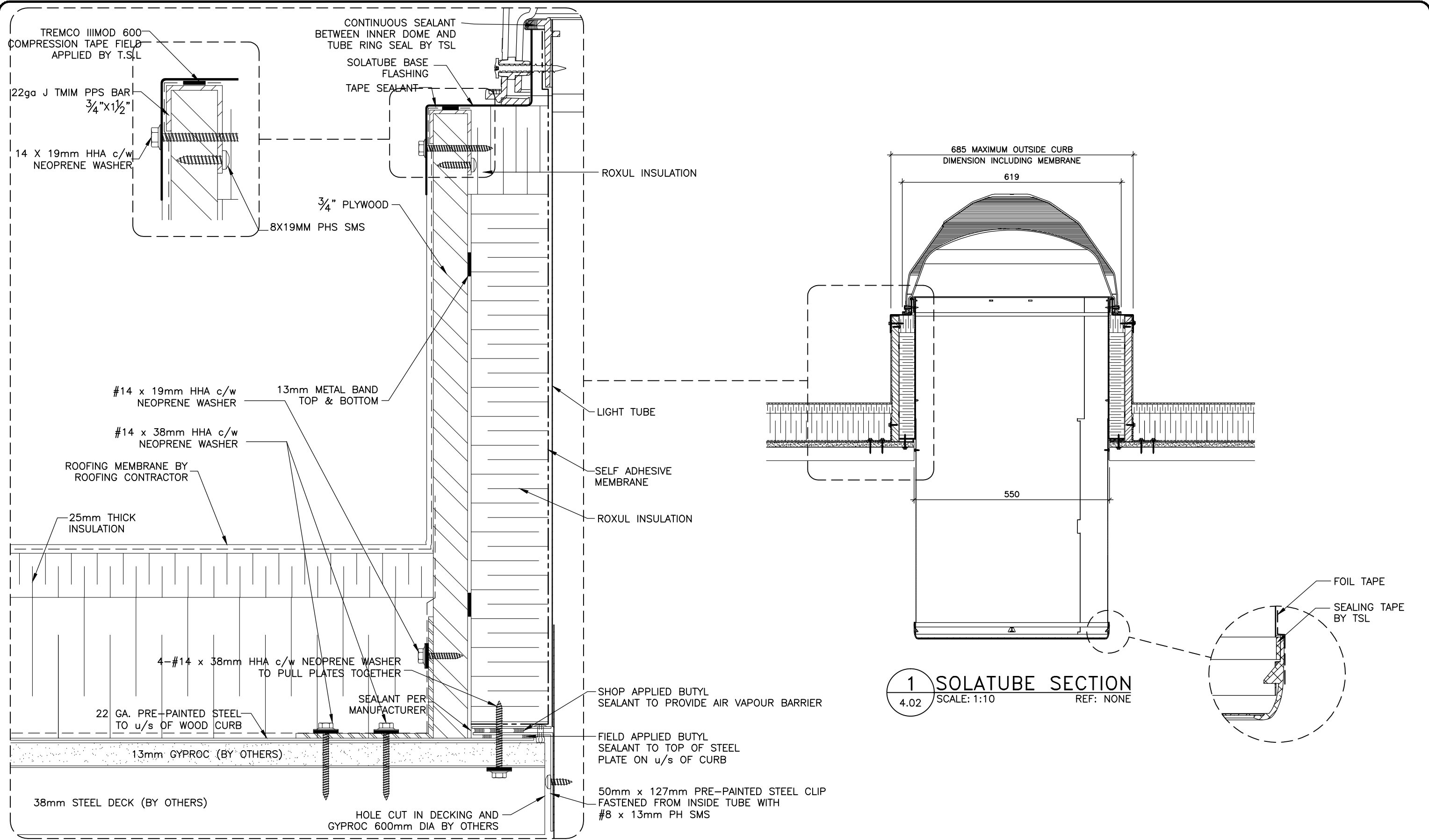
Copyright Notice
 THIS DRAWING, AND ITS CONTENTS, ARE PROTECTED BY COPYRIGHT AND SHALL NOT BE REPRODUCED IN WHOLE OR IN PART, WITHOUT THE EXPRESS WRITTEN PERMISSION OF THERMAL SYSTEMS' KWC LTD.. THESE DRAWINGS ARE NOT TO BE SCALED.

REV. No.	DESCRIPTION	DATE	INT.
0	FIRST SUBMITTAL	XX/XX/XX	INT.
	REVISIONS		



DRAWING TITLE:	SOLATUBE DETAILS
PROJECT:	SOLATUBE TEST CHAMBER
LOCATION:	CALGARY, AB
CUSTOMER:	THERMAL SYSTEMS

SCALE:	AS SHOWN	DATE:	02/04/2012
DRAWN:	HMH	SHEET No.:	4.02
CHK'D:	GC		
PROJ. No.:	9090712	REV:	0



1 SOLATUBE SECTION
 4.02 SCALE: 1:10 REF: NONE

"BUILDING INSPIRED VISIONS"

Copyright Notice
 THIS DRAWING, AND ITS CONTENTS, ARE PROTECTED BY COPYRIGHT AND SHALL NOT BE REPRODUCED IN WHOLE OR IN PART, WITHOUT THE EXPRESS WRITTEN PERMISSION OF THERMAL SYSTEMS KWC LTD.. THESE DRAWINGS ARE NOT TO BE SCALED.

REV. No.	DESCRIPTION	DATE	INT.
0	FIRST SUBMITTAL	XX/XX/XX	VBG
	REVISIONS		

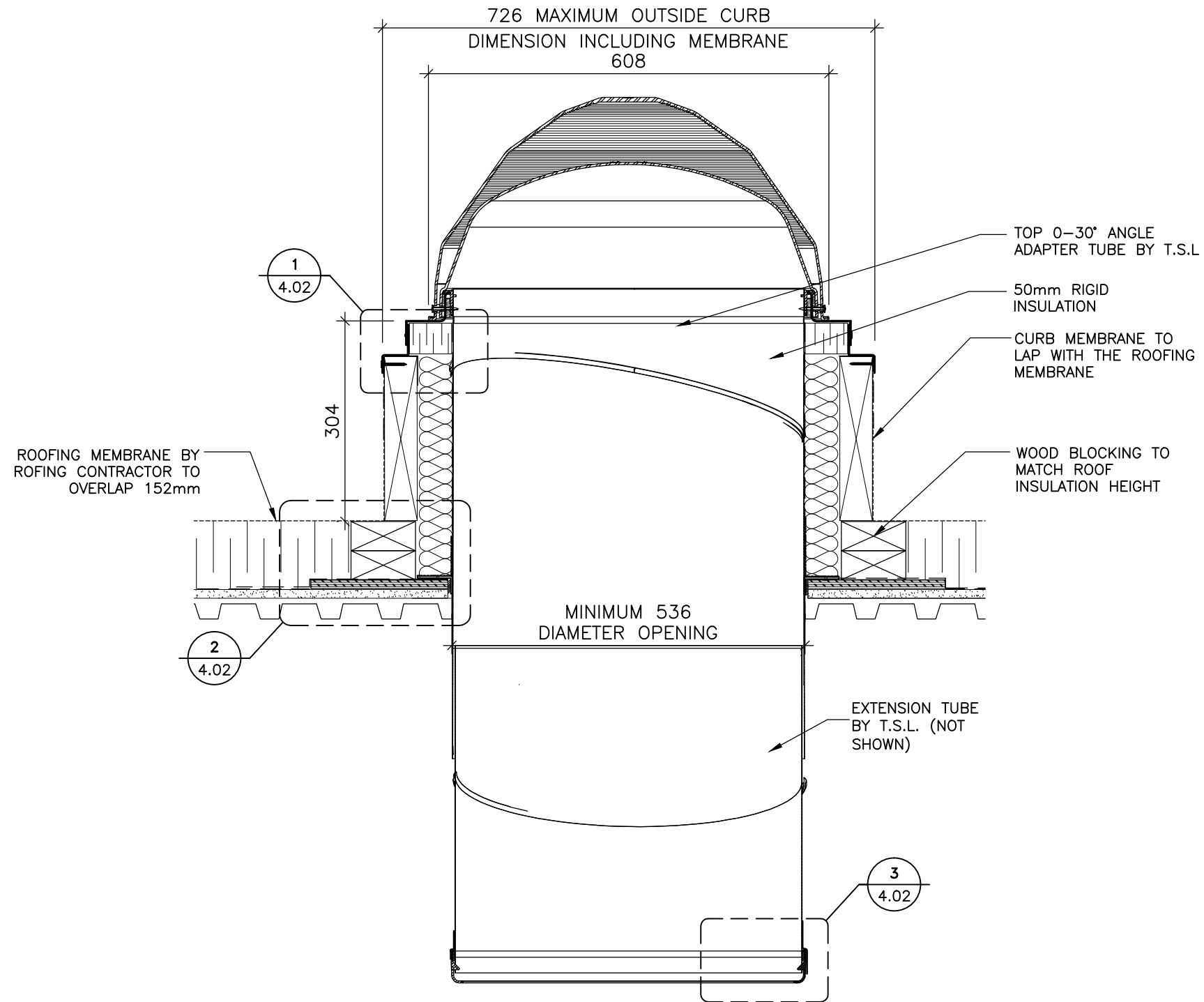


DRAWING TITLE:	SOLATUBE SECTION S750DS-0
PROJECT:	TEST CHAMBER
LOCATION:	CALGARY, AB
CUSTOMER:	THERMAL SYSTEMS

SCALE:	AS SHOWN	DATE:	XX/XX/XX
DRAWN:	VBG	SHEET No.:	4.02
CHK'D:	CG	PROJ No.:	9090712
		REV NO.:	0

SOLATUBE SCHEDULE

- 1. Installation**
- A. Labor _____ BY THERMAL SYSTEMS
 - B. Field Dimensions _____ BY CONTRACTOR
 - C. Bead Caulking _____ BY THERMAL SYSTEMS
 - D. Fasteners to Building _____ BY THERMAL SYSTEMS
 - E. Quantity of Units _____ 1
- 2. Specifications**
- A. Model _____ 750 DS
 - B. Dome _____ DIA DUAL DOME
 - C. Flashing _____ FCM CURB MOUNTED
 - D. Extension Tubes _____
 - E. Diffuser Lens _____ L1-OPTIVIEW
 - F. Optional Effect Lens _____ LN-NATURAL EFFECT
- 3. Options**
- D - Daylight Dimmer
 - DV - 0-10V Daylight Dimmer
 - SW - Daylight Dimmer Switch QTY: _____
 - E - Wire Suspension Kit
 - INC - Universal Light Add-on Kit
 - CFL - Compact Fluorescent Light Kit
 - Turret Extension Kit
 - T02 T04 T12
 - T24 T36 T48
 - 0°-90° Elbow
 - A1 A2
 - FI - Flashing Insulator
 - PB - Dome Edge Protector Band
 - B - Security Bar
 - P - PVC Boot
 - R - Trim Ring
 - SK - Dome Security Kit



NOTES:

1. STRUCTURAL ELEMENTS (PLYWOOD, GIRTS, DRYWALL ETC.) BY OTHERS & SHOWN FOR REFERENCE ONLY.
2. ALL TUBE JOINTS & SEAMS TAPED WITH 2" FOIL TAPE (NOT SHOWN).
3. DIMENSIONS ARE METRIC UNLESS OTHERWISE SPECIFIED.
4. 6" MIN CLEARANCE SHOULD BE MAINTAINED FROM ALL SOLATUBE COMPONENTS AND OTHER PLENUM COMPONENTS

1 SOLATUBE SECTION
4.01 SCALE: 1:8 REF: NONE

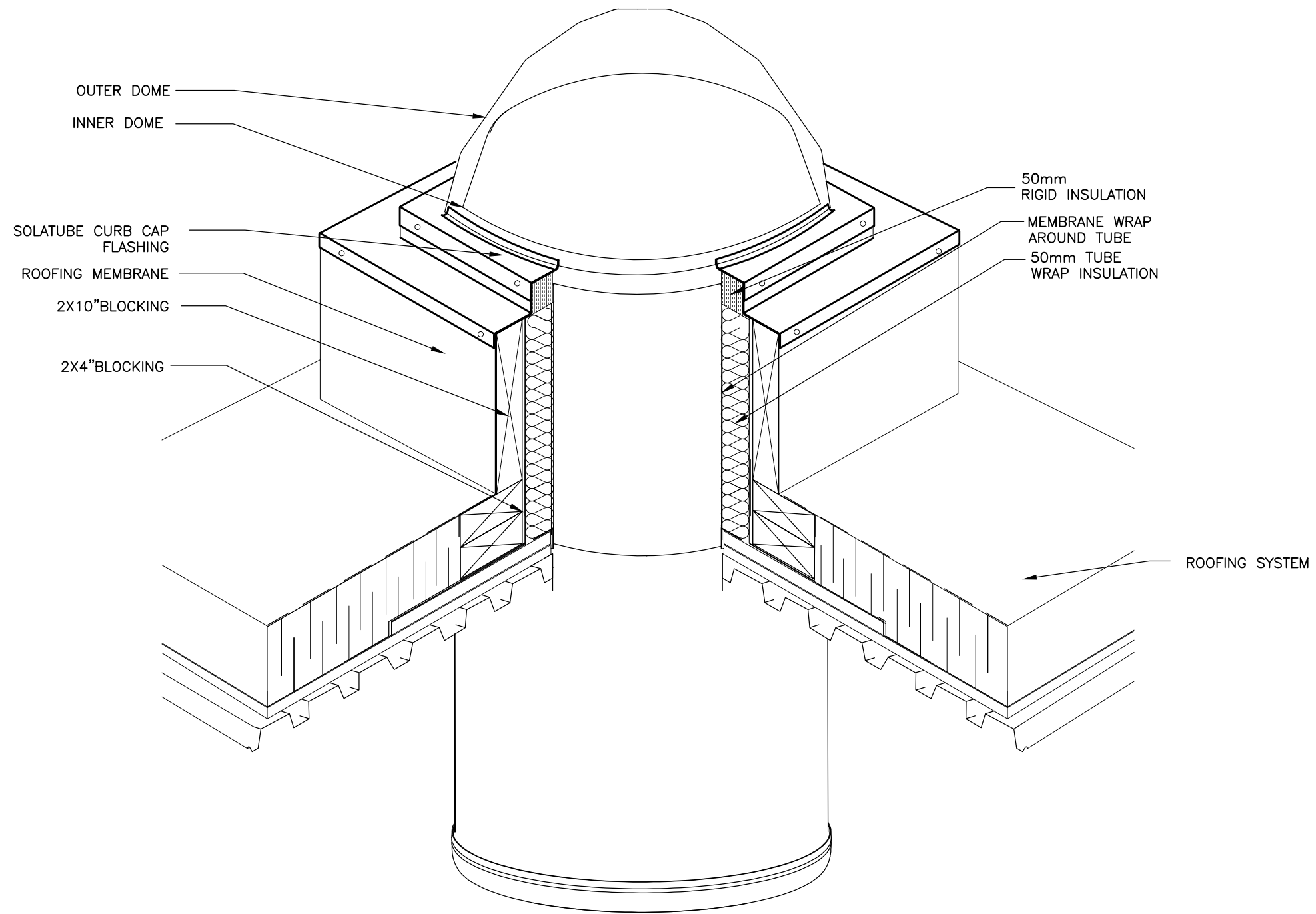
Copyright Notice
THIS DRAWING, AND ITS CONTENTS, ARE PROTECTED BY COPYRIGHT AND SHALL NOT BE REPRODUCED IN WHOLE OR IN PART, WITHOUT THE EXPRESS WRITTEN PERMISSION OF THERMAL SYSTEMS KWC LTD.. THESE DRAWINGS ARE NOT TO BE SCALED.

REV. No.	DESCRIPTION	DATE	INT.
0	FIRST SUBMITTAL	XX/XX/XX	INT.
REVISIONS			



DRAWING TITLE:	SOLATUBE SECTION
PROJECT:	SOLATUBE TEST CHAMBER
LOCATION:	CALGARY, AB
CUSTOMER:	THERMAL SYSTEMS

SCALE:	AS SHOWN	DATE:	02/04/2012
DRAWN:	HMH	SHEET No.:	4.01
CHK'D:	GC	REV:	0
PROJ. No.:	9090712		



1 ISOMETRIC VIEW
4.03 SCALE: 1:10 REF: NONE

"BUILDING INSPIRED VISIONS"

Copyright Notice
THIS DRAWING, AND ITS CONTENTS, ARE PROTECTED BY COPYRIGHT AND SHALL NOT BE REPRODUCED IN WHOLE OR IN PART, WITHOUT THE EXPRESS WRITTEN PERMISSION OF THERMAL SYSTEMS KWC LTD.. THESE DRAWINGS ARE NOT TO BE SCALED.

REV. No.	DESCRIPTION	DATE	INT.
0	FIRST SUBMITTAL	XX/XX/XX	INT.



DRAWING TITLE:	SOLATUBE SECTION
PROJECT:	SOLATUBE TEST CHAMBER
LOCATION:	CALGARY, AB
CUSTOMER:	THERMAL SYSTEMS

SCALE:	AS SHOWN	DATE:	02/04/2012
DRAWN:	HMH	SHEET No.:	4.03
CHK'D:	GC	REV:	0
PROJ. No.:	9090712		